

EUROPEAN PATENT OFFICE
U.S. PATENT AND TRADEMARK OFFICE

CPC NOTICE OF CHANGES 1614

DATE: MAY 1, 2024

PROJECT RP11529

The following classification changes will be effected by this Notice of Changes:

<u>Action</u>	<u>Subclass</u>	<u>Group(s)</u>
SCHEME:		
Symbols Deleted:	B41J	2002/16502, 2002/16514, 2002/16529, 2002/1728, 2002/1735, 2002/1742
Symbols New:	B41J	2/16502, 2/16507, 2/16514, 2/16529, 2/1728, 2/1735, 2/1742
Titles Changed:	B41J	2/165, 2/16523, 2/2114
Warnings New:	B41J	2/16505, 2/16507, 2/16508, 2/16523, 2/1721, 2/211, 2/2114, 2/2117
DEFINITIONS:		
Definitions Deleted: (no frozen (F) symbol definitions should be deleted)		
Definitions New:	B41J	2/16507
Definitions Modified:	B41J	2/165, 2/16505, 2/16523, 2/1721, 2/2114

No other subclasses/groups are impacted by this Notice of Changes.

This Notice of Changes includes the following *[Check the ones included]*:

1. CLASSIFICATION SCHEME CHANGES

- A. New, Modified or Deleted Group(s)
- B. New, Modified or Deleted Warning(s)
- C. New, Modified or Deleted Note(s)
- D. New, Modified or Deleted Guidance Heading(s)

2. DEFINITIONS

- A. New or Modified Definitions (Full definition template)
- B. Modified or Deleted Definitions (Definitions Quick Fix)

3. REVISION CONCORDANCE LIST (RCL)

4. CHANGES TO THE CPC-TO-IPC CONCORDANCE LIST (CICL)

5. CHANGES TO THE CROSS-REFERENCE LIST (CRL)

CPC NOTICE OF CHANGES 1614

DATE: MAY 1, 2024

PROJECT RP11529

1. CLASSIFICATION SCHEME CHANGES

A. New, Modified or Deleted Group(s)

SUBCLASS B41J - TYPE WRITERS; SELECTIVE PRINTING MECHANISMS, {e.g. INK-JET PRINTERS, THERMAL PRINTERS}, i.e. MECHANISMS PRINTING OTHERWISE THAN FROM A FORME; CORRECTION OF TYPOGRAPHICAL ERRORS

<u>Type*</u>	<u>Symbol</u>	<u>Indent Level Number of dots (e.g. 0, 1, 2)</u>	<u>Title</u> <u>“CPC only” text should normally be enclosed in {curly brackets}**</u>	<u>Transferred to#</u>
M	B41J2/165	4	Prevention {or detection} of nozzle clogging, e.g. cleaning, capping or moistening for nozzles	
D	B41J2002/16502	5	{Printhead constructions to prevent nozzle clogging or facilitate nozzle cleaning}	<administrative transfer to B41J2/16502INV>
N	B41J2/16502	5	{Printhead constructions to prevent nozzle clogging or facilitate nozzle cleaning}	
C	B41J2/16505	5	{Caps, spittoons or covers for cleaning or preventing drying out}	B41J2/16505, B41J2/16507, B41J2/16508
N	B41J2/16507	6	{integral with the printhead}	
U	B41J2/16511	7	{Constructions for cap positioning (B41J2/16547 takes precedence)}	
D	B41J2002/16514	8	{creating a distance between cap and print head, e.g. for suction or pressurising}	<administrative transfer to B41J2/16514INV>
N	B41J2/16514	8	{creating a distance between cap and printhead, e.g. for suction or pressurising}	
C	B41J2/16523	7	{Waste ink transport from caps or spittoons, e.g. by suction (Collecting or collectors of waste ink B41J2/1721)}	B41J2/16523, B41J2/1721
U	B41J2/16526	7	{by applying pressure only}	
D	B41J2002/16529	8	{Idle discharge on printing matter}	<administrative transfer to B41J2/16529INV>

CPC NOTICE OF CHANGES 1614

DATE: MAY 1, 2024

PROJECT RP11529

Type*	Symbol	Indent Level Number of dots (e.g. 0, 1, 2)	Title “CPC only” text should normally be enclosed in {curly brackets}**	Transferred to#
N	B41J2/16529	8	{Idle discharge on printing matter}	
D	B41J2002/1728	5	{Closed waste ink collector}	<administrative transfer to B41J2/1728 INV>
N	B41J2/1728	5	{Closed waste ink collectors}	
D	B41J2002/1735	6	{Closed waste ink collector with ink supply tank in common container}	<administrative transfer to B41J2/1735 INV>
N	B41J2/1735	6	{with ink supply tank in common containers}	
D	B41J2002/1742	5	{Open waste ink collector, e.g. ink receiving from a print head above the collector during borderless printing}	<administrative transfer to B41J2/1742 INV>
N	B41J2/1742	5	{Open waste ink collectors, e.g. ink receiving from a print head above the collector during borderless printing}	
C	B41J2/2114	5	{Ejecting specialized liquids, e.g. transparent or processing liquids (B41J2/211 takes precedence)}	B41J2/211, B41J2/2114, B41J2/2117

*N = new entries where reclassification into entries is involved; C = entries with modified file scope where reclassification of documents from the entries is involved; Q = new entries which are firstly populated with documents via administrative transfers from deleted (D) entries. Afterwards, the transferred documents into the Q entry will either stay or be moved to more appropriate entries, as determined by intellectual reclassification; T = existing entries with enlarged file scope, which receive documents from C or D entries, e.g. when a limiting reference is removed from the entry title; M = entries with no change to the file scope (no reclassification); D = deleted entries; F = frozen entries will be deleted once reclassification of documents from the entries is completed; U = entries that are unchanged.

NOTES:

- **No {curly brackets} are used for titles in CPC only subclasses, e.g. C12Y, A23Y; 2000 series symbol titles of groups found at the end of schemes (orthogonal codes); or the Y section titles. The {curly brackets} are used for 2000 series symbol titles found interspersed throughout the main trunk schemes (breakdown codes).
- U groups: it is obligatory to display the required “anchor” symbol (U group), i.e. the entry immediately preceding a new group or an array of new groups to be created (in case new groups are not clearly subgroups of C-type groups). Always include the symbol, indent level and title of the U group in the table above.
- All entry types should be included in the scheme changes table above for better understanding of the overall scheme change picture. Symbol, indent level, and title are required for all types.
- “Transferred to” column must be completed for all C, D, F, and Q type entries. F groups will be deleted once reclassification is completed.

CPC NOTICE OF CHANGES 1614

DATE: MAY 1, 2024

PROJECT RP11529

- When multiple symbols are included in the “Transferred to” column, avoid using ranges of symbols in order to be as precise as possible.
- For administrative transfer of documents, the following text should be used: “<administrative transfer to XX>”, “<administrative transfer to XX and YY simultaneously>”, or “<administrative transfer to XX, YY, ...and ZZ simultaneously>” when administrative transfer of the same documents is to more than one place.
- Administrative transfer to main trunk groups is assumed to be the source allocation type, unless otherwise indicated.
- Administrative transfer to 2000/Y series groups is assumed to be “additional information”.
- If needed, instructions for allocation type should be indicated within the angle brackets using the abbreviations “ADD” or “INV”: <administrative transfer to XX ADD>, <administrative transfer to XX INV>, or <administrative transfer to XX ADD, YY INV, ... and ZZ ADD simultaneously>.
- In certain situations, the “D” entries of 2000-series or Y-series groups may not require a destination (“Transferred to”) symbol, however it is required to specify “<no transfer>” in the “Transferred to” column for such cases.
- For finalisation projects, the deleted “F” symbols should have <no transfer> in the “Transferred to” column.
- For more details about the types of scheme change, see CPC Guide.

CPC NOTICE OF CHANGES 1614

DATE: MAY 1, 2024

PROJECT RP11529

B. New, Modified or Deleted Warning(s)

SUBCLASS B41J - TYPE WRITERS; SELECTIVE PRINTING MECHANISMS, {e.g. INK-JET PRINTERS, THERMAL PRINTERS}, i.e. MECHANISMS PRINTING OTHERWISE THAN FROM A FORME; CORRECTION OF TYPOGRAPHICAL ERRORS

<u>Type*</u>	<u>Location</u>	<u>Old Warning</u>	<u>New/Modified Warning</u>
N	B41J2/16505		Group B41J2/16505 is impacted by reclassification into groups B41J2/16507 and B41J2/16508. Groups B41J2/16505, B41J2/16507 and B41J2/16508 should be considered in order to perform a complete search.
N	B41J2/16507		Group B41J2/16507 is incomplete pending reclassification of documents from group B41J2/16505. Groups B41J2/16505 and B41J2/16507 should be considered in order to perform a complete search.
N	B41J2/16508		Group B41J2/16508 is incomplete pending reclassification of documents from group B41J2/16505. Groups B41J2/16505 and B41J2/16508 should be considered in order to perform a complete search.
N	B41J2/16523		Group B41J2/16523 is impacted by reclassification into group B41J2/1721. Groups B41J2/16523 and B41J2/1721 should be considered in order to perform a complete search.
N	B41J2/1721		Group B41J2/1721 is incomplete pending reclassification of documents from group B41J2/16523. Groups B41J2/16523 and B41J2/1721 should be considered in order to perform a complete search.
N	B41J2/211		Group B41J2/211 is incomplete pending reclassification of documents from group B41J2/2114. Groups B41J2/211 and B41J2/2114 should be considered in order to perform a complete search.

CPC NOTICE OF CHANGES 1614

DATE: MAY 1, 2024

PROJECT RP11529

<u>Type*</u>	<u>Location</u>	<u>Old Warning</u>	<u>New/Modified Warning</u>
N	B41J2/2114		Group B41J2/2114 is impacted by reclassification into groups B41J 2/211 and B41J2/2117. Groups B41J2/211, B41J2/2114 and B41J2/2117 should be considered in order to perform a complete search.
N	B41J2/2117		Group B41J2/2117 is incomplete pending reclassification of documents from group B41J2/2114. Groups B41J2/2114 and B41J2/2117 should be considered in order to perform a complete search.

*N = new warning, M = modified warning, D = deleted warning

NOTE: The "Location" column only requires the symbol PRIOR to the location of the warning. No further directions such as "before" or "after" are required.

2. A. DEFINITIONS (new)

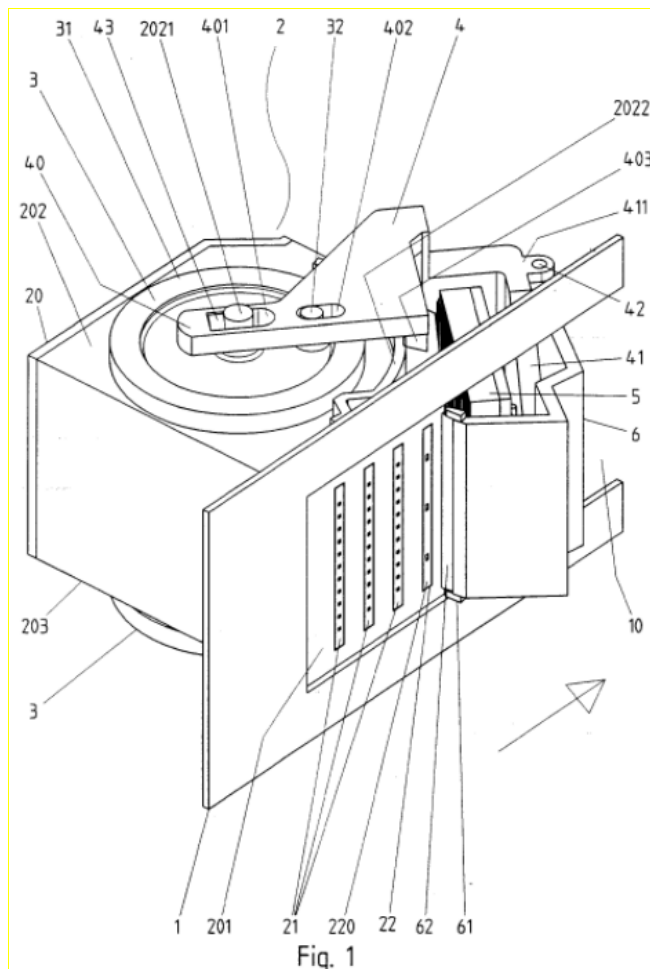
B41J 2/16507

Definition statement

This place covers:

Caps integral with the print head.

Illustrative example of subject matter classified in this group.



DATE: MAY 1, 2024

PROJECT RP11529

2. A. DEFINITIONS (modified)

B41J 2/165

References

Informative references

Replace: The existing Informative references table with the updated table below:

Conditioning of ink supply systems/circuits	B41J2/1707 , B41J2/1714
Detection of defective nozzles for compensation of them by well-functioning nozzles	B41J2/2142
Cleaning arrangements	B41J29/17
Arrangements for cleaning in a spraying apparatus	B05B 15/50
For powder toner printers	G03G

Synonyms and Keywords

Replace: The second bullet point of the Synonyms and Keywords text so that the entire text appears as follows:

- "nozzles", "apertures", "print(ing) elements" and "openings"
- "discharge/ejection failure", "defect", "non-discharge", "clogging", "defective", "failing", "non-operative", "inoperative", "non-firing" and "malperforming"
- "cleaning", "maintenance", "recovery" and "priming"

DATE: MAY 1, 2024

PROJECT RP11529

B41J 2/16505

Definition statement

Replace: The existing Definition statement with the updated one below.

Caps for the print head nozzles.

B41J 2/16523

Insert: The following new References/Limiting references section and table.

References

Limiting references

This place does not cover:

Waste ink collectors	B41J2/1721
----------------------	----------------------------

Delete: The Special rules of classification section and text.

B41J 2/1721

Delete: The Special rules of classification section and text.

DATE: MAY 1, 2024

PROJECT RP11529

B41J 2/2114

Insert: The following new Definition statement.

Definition statement

This place covers:

Ejecting specialized liquids, e.g. processing or transparent liquids

Synonyms and Keywords

Replace: The existing Synonyms and Keywords text with the following revised text:

- "processing liquid", "ink" and "printing improvement liquid"

CPC NOTICE OF CHANGES 1614

DATE: MAY 1, 2024

PROJECT RP11529

3. REVISION CONCORDANCE LIST (RCL)

Type*	From CPC Symbol (existing)	To CPC Symbol(s)
D	B41J 2002/16502	<administrative transfer to B41J 2/16502 INV>
C	B41J 2/16505	B41J 2/16505, B41J 2/16507, B41J 2/16508
D	B41J 2002/16514	<administrative transfer to B41J 2/16514 INV>
C	B41J 2/16523	B41J 2/16523, B41J 2/1721
D	B41J 2002/16529	<administrative transfer to B41J 2/16529 INV>
D	B41J 2002/1728	<administrative transfer to B41J 2/1728 INV>
D	B41J 2002/1735	<administrative transfer to B41J 2/1735 INV>
D	B41J 2002/1742	<administrative transfer to B41J 2/1742 INV>
C	B41J 2/2114	B41J 2/211, B41J 2/2114, B41J 2/2117

* C = entries with modified file scope where reclassification of documents from the entries is involved; Q = new entries which are firstly populated with documents via administrative transfers from deleted (D) entries. Afterwards, the transferred documents into the Q entry will either stay or be moved to more appropriate entries, as determined by intellectual reclassification; D = deleted entries; F = frozen entries will be deleted once reclassification of documents from the entries is completed.

NOTES:

- Only C, D, F, and Q type entries are included in the table above.
- When multiple symbols are included in the “To” column, do not use ranges of symbols.
- For administrative transfer of documents, the following text should be used: “<administrative transfer to XX>”, “<administrative transfer to XX and YY simultaneously>”, or “<administrative transfer to XX, YY, ...and ZZ simultaneously>” when administrative transfer of the same documents is to more than one place.
- Administrative transfer to main trunk groups is assumed to be the source allocation type, unless otherwise indicated.
- Administrative transfer to 2000/Y series groups is assumed to be “additional information”.
- If needed, instructions for allocation type should be indicated within the angle brackets using the abbreviations “ADD” or “INV”: <administrative transfer to XX ADD>, <administrative transfer to XX INV>, or <administrative transfer to XX ADD, YY INV, ... and ZZ ADD simultaneously>.
- In certain situations, the “D” entries of 2000-series or Y-series groups may not require a destination (“To”)symbol, however it is required to specify “<no transfer>” in the “To” column for such cases.
- RCL is not needed for finalisation projects.

CPC NOTICE OF CHANGES 1614

DATE: MAY 1, 2024

PROJECT RP11529

4. CHANGES TO THE CPC-TO-IPC CONCORDANCE LIST (CICL)

<u>CPC</u>	<u>IPC</u>	<u>Action*</u>
B41J2002/16502		DELETE
B41J2/16502	B41J2/165	NEW
B41J2/16507	B41J2/165	NEW
B41J2002/16514		DELETE
B41J2/16514	B41J2/165	NEW
B41J2002/16529		DELETE
B41J2/16529	B41J2/165	NEW
B41J2002/1728		DELETE
B41J2/1728	B41J2/17	NEW
B41J2002/1735		DELETE
B41J2/1735	B41J2/17	NEW
B41J2002/1742		DELETE
B41J2/1742	B41J2/17	NEW

* Action column:

- For an (N) or (Q) entry, provide an IPC symbol and complete the Action column with “NEW.”
- For an existing CPC main trunk entry or indexing entry where the existing IPC symbol needs to be changed, provide an updated IPC symbol and complete the Action column with “UPDATED.”
- For a (D) CPC entry or indexing entry complete the Action column with “DELETE.” IPC symbol does not need to be included in the IPC column.
- For an (N) 2000 series CPC entry which is positioned within the main trunk scheme (breakdown code) provide an IPC symbol and complete the action column with “NEW”.
- For an (N) 2000 series CPC entry positioned at the end of the CPC scheme (orthogonal code), with no IPC equivalent, complete the IPC column with “CPCONLY” and complete the action column with “NEW”.

NOTES:

- F symbols are not included in the CICL table above.
- T and M symbols are not included in the CICL table above unless a change to the existing IPC is desired.